

# Insolion<sup>®</sup>

## Basic



### The Insolion<sup>®</sup> Basic gasket consists of neoprene elastomer sheets bonded to a phenolic carrier.

The neoprene face provides an effective sealing surface and the phenolic carrier layer provides the required electrical isolation performance.

The Insolion Basic set is supplied with zinc plated carbon steel and reinforced phenolic washers along with Dupont Mylar<sup>®</sup> bolt sleeves.

#### Application guidelines

- Basic pipeline flange isolation in oil, gas and other processing applications.
- Can be used on the majority of flange specifications including ASME, API, EN BS and DIN.
- Flange insulation and electrical isolation in conjunction with cathodic protection.
- To isolate flange and piping systems where dissimilar metals are present.

#### Availability

Insolion Basic can be supplied in sizes from 1/2" to 24" diameter to match the majority of flange specifications including ASME, API, EN, BS, ISO and DIN



#### TEMPERATURE

**Maximum Temperature:**  
+100°C (+212°F)

**Minimum Temperature:**  
-20°C (-4°F)



#### PRESSURE

**Maximum Pressure:**  
5 MPa/50 bar (725 psi)  
(ASME Class 300, PN40)

# Insolion<sup>®</sup>

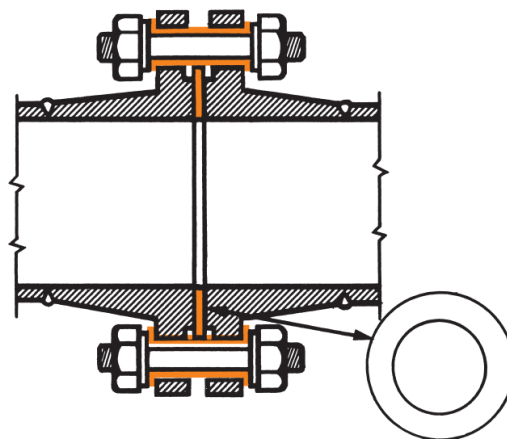
## Basic

### Typical physical properties

		Maximum temperature	Dielectric strength	Water absorption	Compressive strength
		°C	Volts/Mil	%	MPA
<b>Central gasket</b>	Neoprene-faced paper reinforced phenolic	100	500	0.6	168
<b>Insulation sleeves</b>	Spirally wound polyester Mylar <sup>®</sup>	120	700	0.5	N/A
<b>Insulation washers</b>	Cotton reinforced phenolic	115	200	0.5	300
<b>Steel back-up washers</b>	Carbon steel zinc plated	N/A	N/A	N/A	N/A

### Availability

Insolion Basic is supplied in the following gasket configuration.



### Type F

These sets are suitable for raised face flanges and use a central gasket which locates inside the bolt circle of the flange. Whilst not being as efficient as Type E sets, these gaskets have the advantage of allowing fitting without complete separation of the flange, and may be regarded as "drop in" gaskets.

Insolion Basic can be supplied in other gasket configurations, including Type E full-face, on request.

# James Walker Worldwide

## Australia

**T:** +61 2 9721 9500  
**E:** sales.jwau@jameswalker.biz

## Belgium

**T:** +32 3 820 79 00  
**E:** sales.be@jameswalker.biz

## Brazil

**T:** +55 11 4392 7360  
**E:** sales.br@jameswalker.biz

## China

**T:** +86 21 6876 9351  
**E:** sales.cn@jameswalker.biz

## France

**T:** +33 437 49 74 80  
**E:** sales.fr@jameswalker.biz

## Germany

**T:** +49 4038 60810  
**E:** sales.de@jameswalker.biz

## India

**T:** +91 224 0808080  
**E:** sales.in@jameswalker.biz

## Ireland

**T:** +353 214 323626  
**E:** sales.ie@jameswalker.biz

## Italy

**T:** +39 2 2578308  
**E:** sales.it@jameswalker.biz

## Middle East

**T:** +971 481 78888  
**E:** sales.jwme@jameswalker.biz

## Netherlands

**T:** +31 186 633111  
**E:** sales.nl@jameswalker.biz

## New Zealand

**T:** +64 9 272 1599  
**E:** sales.nz@jameswalker.biz

## Norway

**T:** +47 22 75 75 00  
**E:** sales.no@jameswalker.biz

## Singapore

**T:** +65 6715 6300  
**E:** sales.sg@jameswalker.biz

## South Africa

**T:** +27 31 304 0770  
**E:** sales.za@jameswalker.biz

## Spain & Portugal

**T:** +34 94 447 00 99  
**E:** sales.es@jameswalker.biz

## UK

**T:** +44 1270 536000  
**E:** sales.uk@jameswalker.biz

## USA

**T:** +1 708 754 4020  
**E:** sales.jwna.us@jameswalker.biz

Information given in this publication is given in good faith and represents the results of specific individual tests carried out by James Walker or third parties in accordance with the methodologies described in this publication, performed in a laboratory. No representation or warranty is given in relation to such information. Values and/or operating limits given in this publication are not an indication that these values and/or operating limits can be applied simultaneously. While such results may comprise useful additional information and are industry standard tests, they are no substitute for conducting (or procuring from James Walker) your own tests and engineering analysis and satisfying yourself as to the suitability of the product you select. Please also note that a product tested in accordance with the published methodology may not perform to such values in application and/or under different test conditions or methodologies for a variety of reasons, including but not limited to the environment in which it is used/tested or which passes through it or otherwise affects the product, or due to the handling, storage or installation, or due to the effect of housing or other parts. Our personnel will be happy to discuss any historical examples we have of a product having been previously used in a particular application.

To ensure you are working with the very latest product specifications, please consult the relevant section of the James Walker website: [www.jameswalker.biz](http://www.jameswalker.biz).

## James Walker Sealing Products & Services Ltd

Registered Office: Lion House, Oriental Road,  
Woking, Surrey GU22 8AP, United Kingdom.

Reg no: 00264191 England